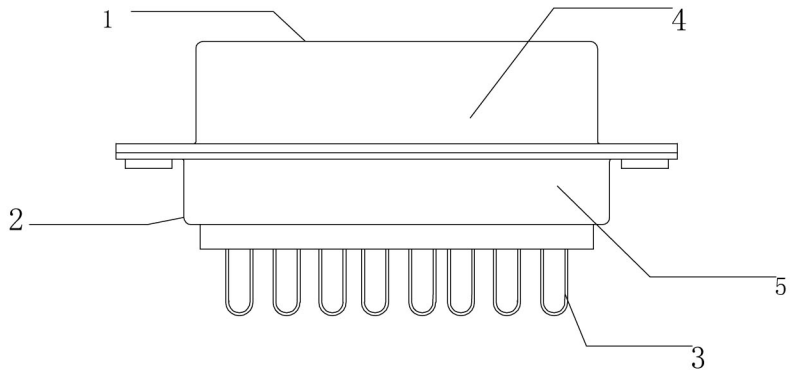
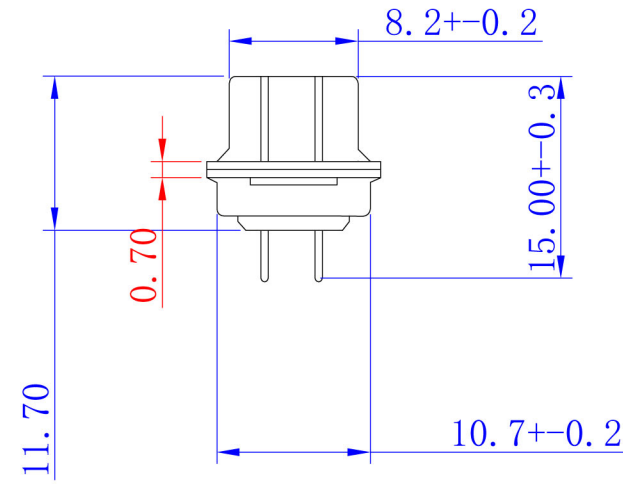
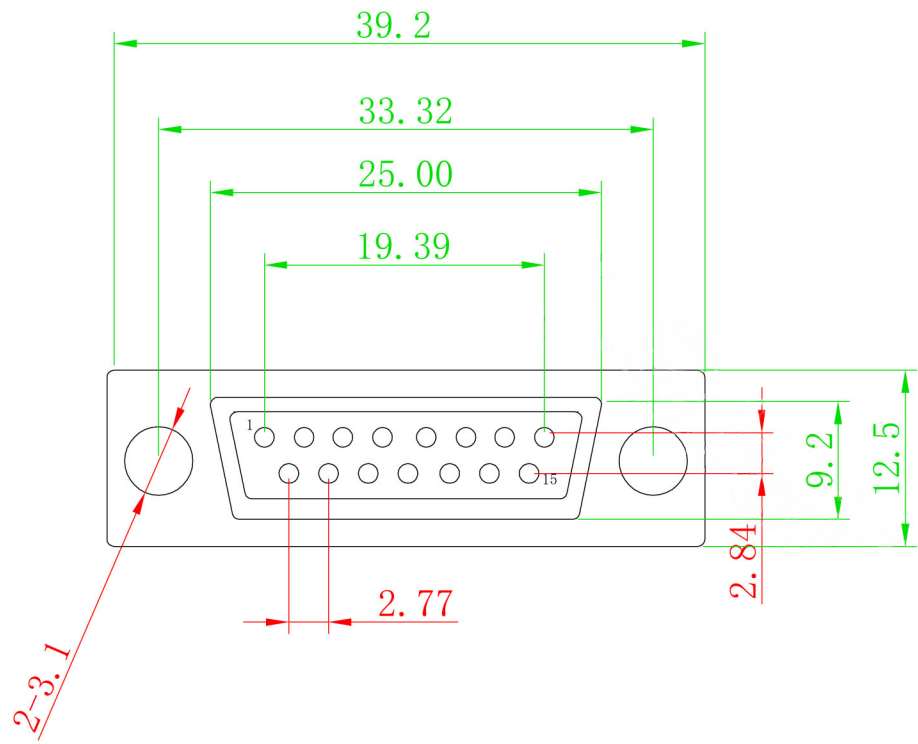


REVISIONS

SYM	ECNNO	DESCRIPTION	DATE	APPROVED



- 1. PRIDUCT SERIES;DBW SILDER POT
- 2. CONTACT OPTION;2;RECEPTACCE
- 3. IRREGULAR CHANGES;0;STANDARD
- 4. POSITIOINS;15PIN
- 5. INSULATIOIN COLOR;SLUE

APPROVED		DATE	2013-05-06	SCALE	
CHECKED		DWG NO	T0010	ANGLE	
DESIGNED		UNIT	MM		
DB15 Female Solder Connector				TILTE	
				TYPE NG	495

F-3-MIN-001-010		
00		2313-05-06

Show Me
CABLES
 cables & connectors since 1995